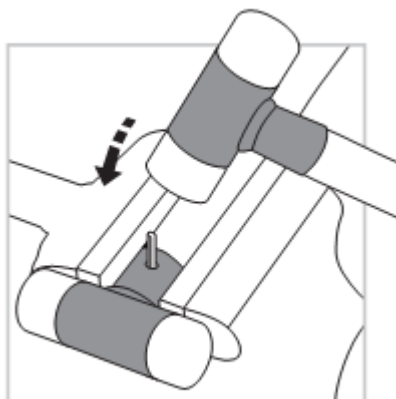
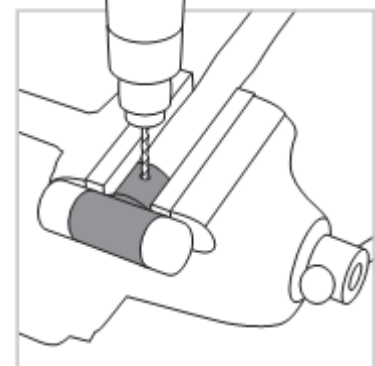
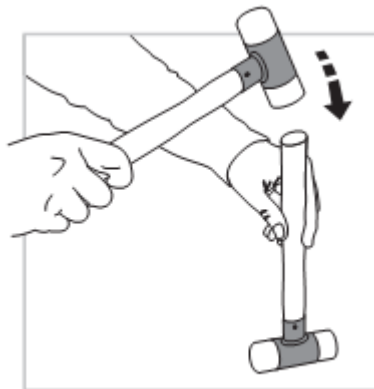
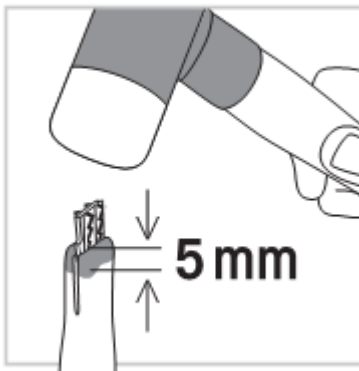
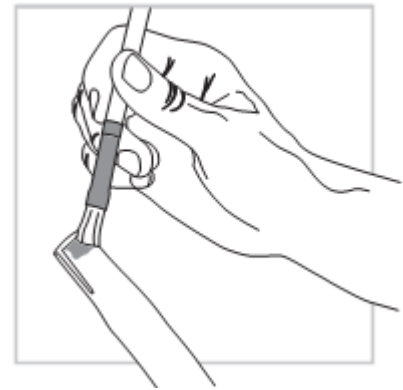
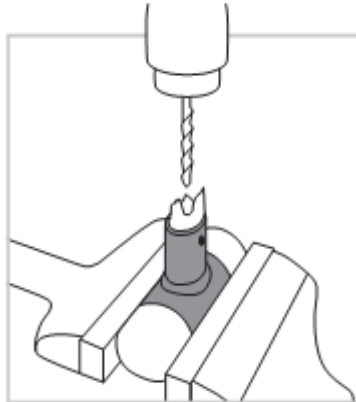
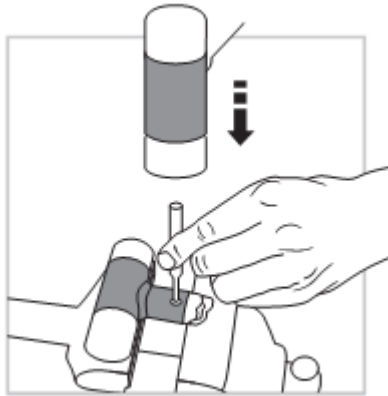


How to replace the mallet handle:



How to replace the mallet heads:

